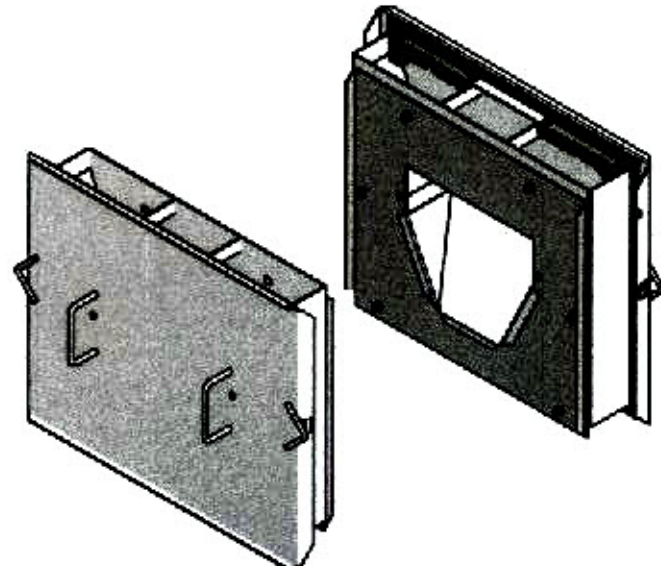
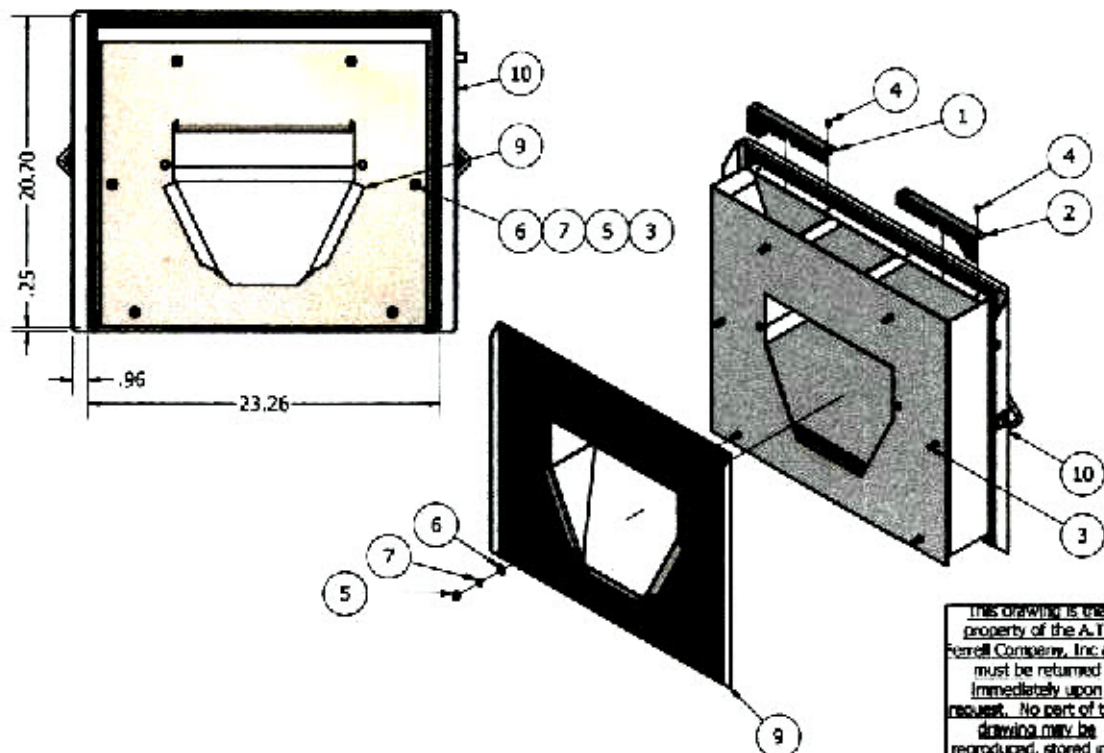


REV	ECN	DESCRIPTION	DATE	APPROVED
A	M005800	RELEASE	9/20/1990	rvoght
B	M007190	65502208 WAS 6 PCS, 80014003 WAS 80014002	9/20/1990	rvoght
C	M930061	ADD 11217211 & -12, OBS 11217210	1/21/1993	bhall
D	060058	90001993 WAS 90000993	6/9/2006	dmjohnson
E	070116	REDRAWN INVENTOR	9/10/2007	aszoll
F	100074	90000993 WAS 90001993, ADD 'REPLACEMENT ONLY' NOTE	3/11/2010	dmjohnson



ITEM	PART NUMBER	QTY	DESCRIPTION
10	90000993	1	DOOR WLDMT, W/LANCE, D MILL
9	90000440	1	WEAR PLATE WLDMT, D-MILL
8	80014002	7.500 ft	TAPE POLYURETHANE, .38 X .50"
7	66443300	6	WASHER, LOCK HELICAL 1/4"
6	66403300	6	WASHER, FLAT 1/4"
5	66083300	6	NUT, HEX 1/4-20
4	65502208	4	SCW, HEX WASHER HEAD T/C A, #8-32 X .38"
3	60283317	6	BOLT, CARR 1/4-20 X 3/4"
2	11217212	1	RETAINER ANGLE, RH, BYPASS VALVE
1	11217211	1	RETAINER ANGLE, LH, BYPASS VALVE

NOTES:
 1. DO NOT SCALE FROM DRAWING.
 2. REPLACEMENT ONLY, NOT FOR CURRENT PRODUCTION.

This drawing is the property of the A.T. Ferrell Company, Inc. and must be returned immediately upon request. No part of this drawing may be reproduced, stored in a retrieval system or transmitted in any form or by any means, without prior written consent of the A.T. Ferrell Company, Inc.	CAD NO MANUAL CHANGES TOLERANCES EXCEPT AS NOTED			
	DECIMAL: .XXX - .001 .XX ± .030	FRACTIONAL: = 1/32		
ANGULAR: = 1/2°	TITLE: DOOR ASSY, W/ LANCE, D MILL		DATE: 9/4/2007 SIZE: B PART NUMBER: 92001276	SHEET: 1 of 1