



**OPERATION AND  
SERVICE MANUAL FOR**

**MODEL**

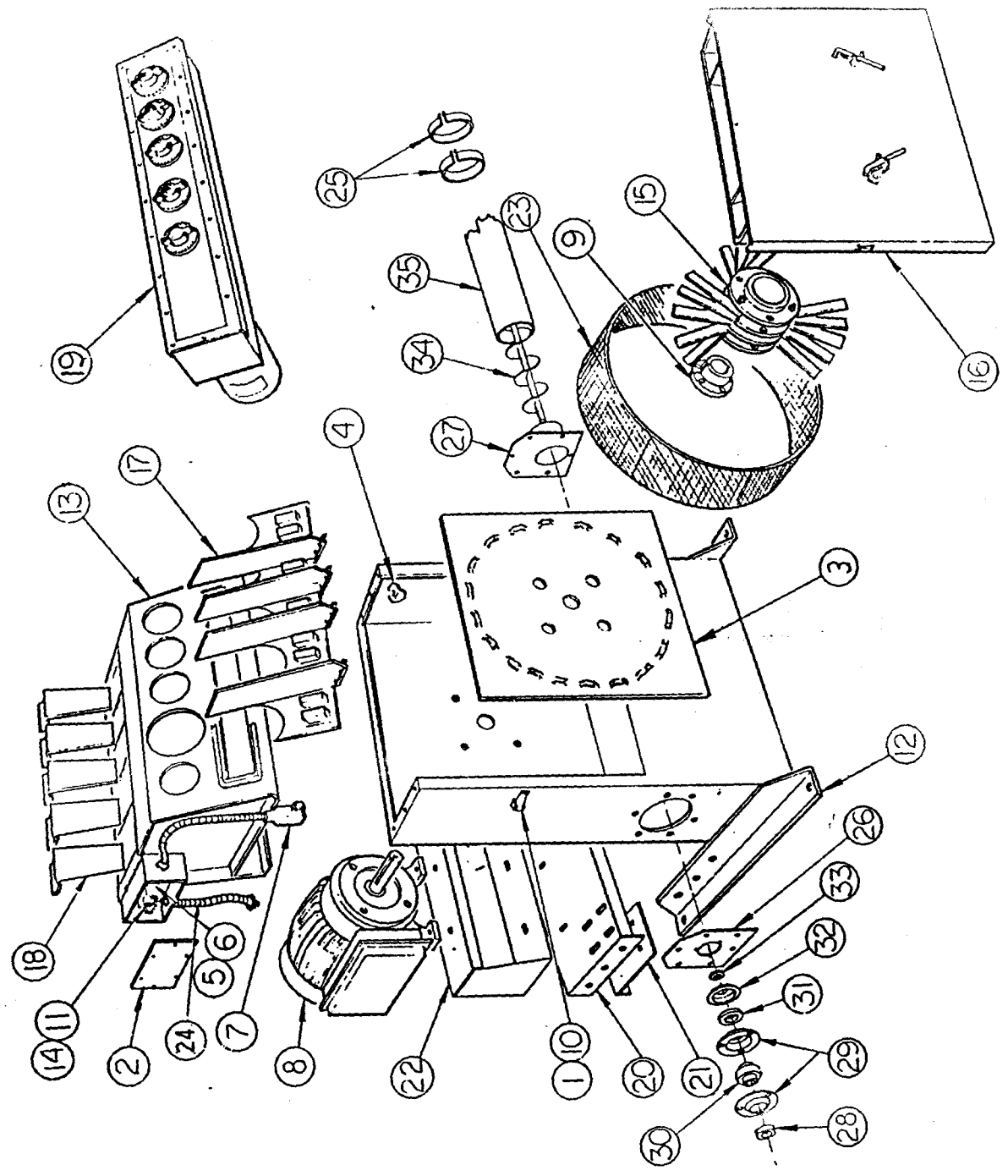
**D**

**MILL**

A.T. FERRELL CO  
713 W LAFEVER STREET  
OSSIAN, IN 46777

PHONE: 260-622-7831  
FAX: 260-622-4798  
1-800-537-6260

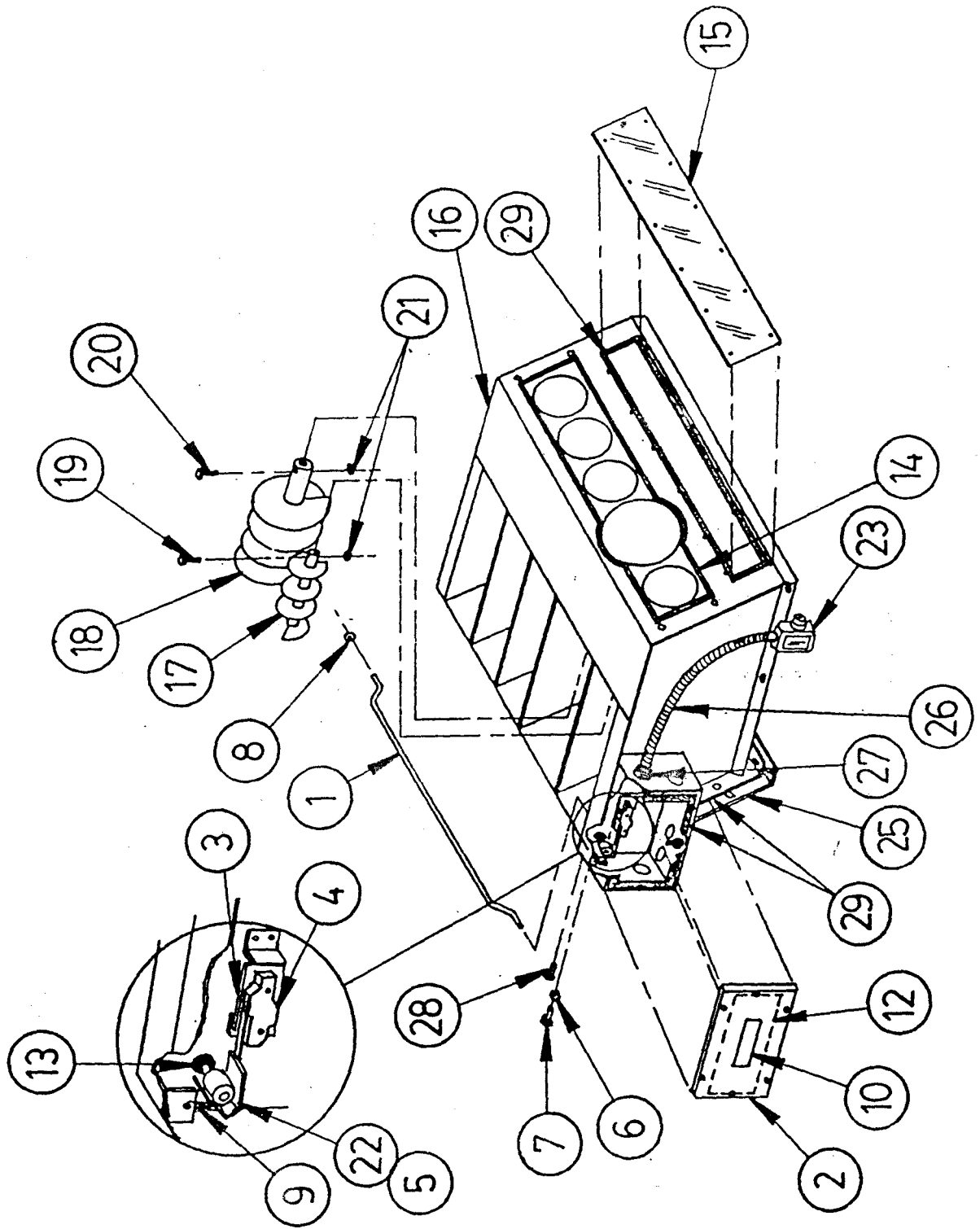
# "D" MILL ASSEMBLY



# 'D' MILL ASSEMBLY

ITEM	PART NO.	DESCRIPTION	QUAN.	ITEM	PART NO.	DESCRIPTION	QUAN.
1	7000-4506	Latches	2	24	9100-0150	Wire Harness - Motor	1
2	1120-6640	Cover, Switch Box	1	or	9100-0137	5 H.P. - 1Ø	1
3	1119-5910	Back Wear Plate	1	or	9100-0151	7 1/2 H.P. and 10 H.P. - 1Ø	1
4	1119-5940	Magnet Clips	2	or	9100-0136	5 H.P. - 3Ø	1
5	1119-5950	Insulation, Switch	1	25	1032-2902	10 H.P. and 20 H.P. - 3Ø	1
6	3100-8001	Micro Switch	1	26	1119-5920	Clamp Ring - 3 1/2" Auger	2
7	3100-8025	Micro Switch, Door	1	or	1119-6500	Offset Bearing Plate-3 1/2" Auger	1
8	3300-0601	Motor 5 H.P.-1Ø	1	27	9000-0122	Bearing Plate - 6" Auger	1
or	3300-0602	Motor 7 1/2 H.P.-1Ø	1	or		Tube & Offset Plate Ass'y. -	1
or	3300-0603	Motor 10 H.P.-1Ø	1	or		3 1/2" Auger	1
or	3300-0701	Motor 5 H.P.-3Ø	1	or		Sleeve & Ring Ass'y.-6" Auger	1
or	3300-0703	Motor 10 H.P.-3Ø	1	28	9000-0207	Lock Collar (5/8") - 3 1/2" Auger	1
or	3300-0705	Motor 20 H.P.-3Ø	1	or	4000-0018	Lock Collar (1 1/16")-6" Auger	1
9	4401-0712	Bushing SD 1-1/8"	1	29	4000-0009	Lock Collar (1 1/16")-6" Auger	1
or	4401-0716	Bushing SD 1-3/8"	1	or	4000-0016	Stamping (5/8") - 3 1/2" Auger	2
or	4401-0720	Bushing SD 1-5/8"	1	30	4000-0005	Stamping (1 1/16")- 6" Auger	2
10	7000-7001	Pop Rivets	1	or	4000-0017	Bearing (5/8") - 3 1/2" Auger	1
11	7000-8003	Spring	4	or	4000-0012	Bearing (1 1/16") - 6" Auger	1
12	9000-0100	Mill Housing - Welded	1	31	8001-1506	Felt Washer (5/8") - 3 1/2" Auger	1
13	9000-0102	Prop Hopper - Welded	1	or	8001-1509	Felt Washer (1 1/16")-6" Auger	1
14	9000-0123	Actuator	1	32	8001-1507	Retaining Cup (5/8")-3 1/2" Auger	1
15	9200-0234	Beater Hub Ass'y.	1	or	8001-1508	Retaining Cup (1 1/16")-6" Auger	1
16	9200 0634	Door & Chute Ass'y.	1	33	8001-4502	Thrust Washer (5/8")-3 1/2" Auger	1
17	9200 0237	Magnet Plate	1	34	9000-2152	Flight & Shaft Ass'y. (52 3/4")	1
18	9000-0131	Switch Paddle Welded Ass'y.	1	or	9000-2153	Flight & Shaft Ass'y. (90 3/4")	1
19	9200 0233	Prop. Ass'y.	5	or	9000-1232	Flight & Shaft Ass'y. (58") -	1
20	9000-0443	Motor Base	1	or		6" Auger	1
21	9000-0438	Adjustment Plate	1	35	1119-7100	3 1/2" Galv. Tubing (12") -	1
22	1120-6620	Motor Stand (20 H.P. Only)	1	or	1119-7102	3 1/2" Auger	1
23	9000-0142	Screen - 3/16" (See Page 56 for Replacement Numbers)	1	or	1119-5003	3 1/2" Galv. Tubing (50") -	1
				or		3 1/2" Auger	1
						3 1/2" Galv. Tubing (44 1/2") -	1
						6" Auger	1

# PROPORTIONER HOPPER ASSY.

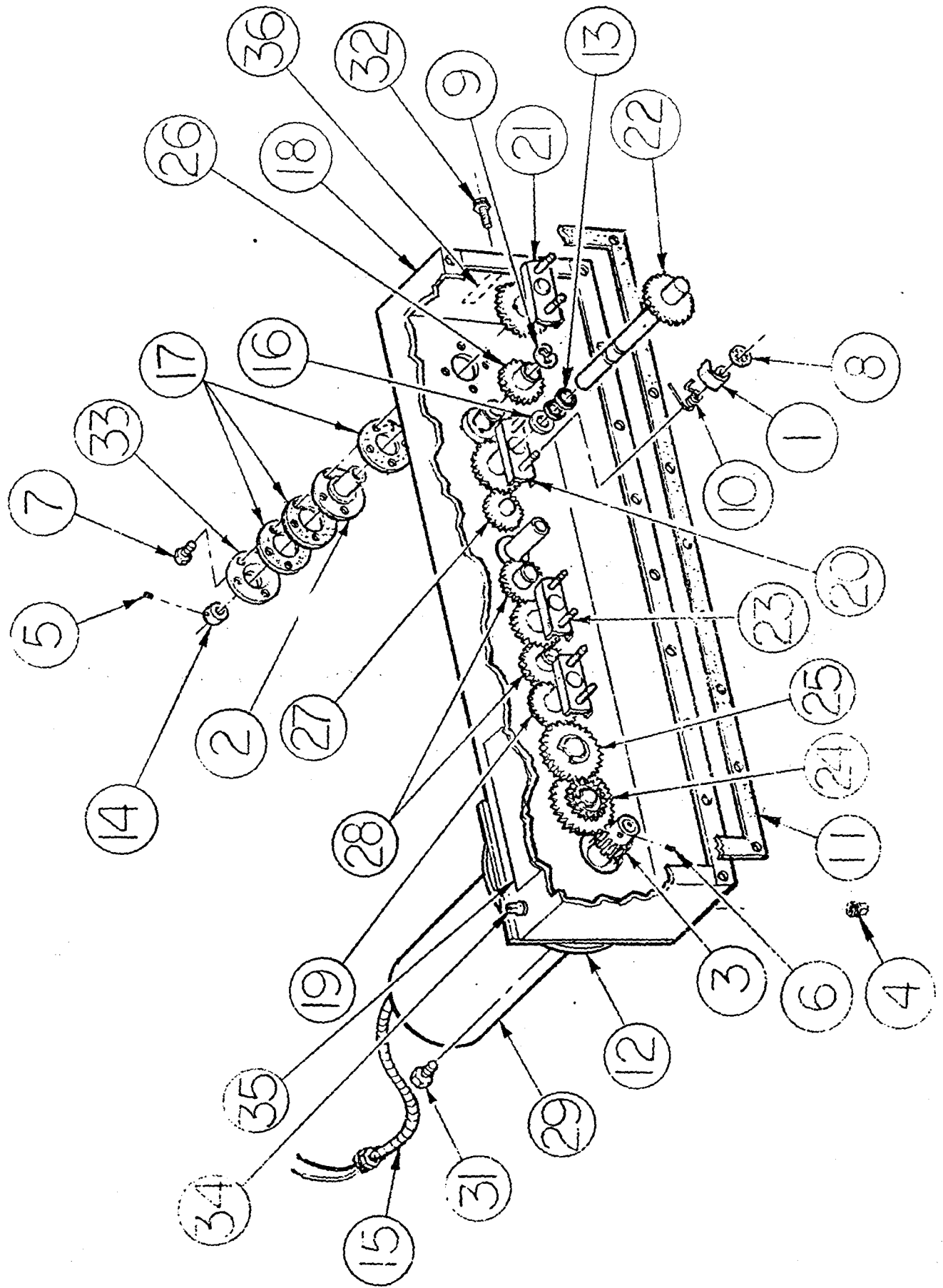


# PROPORTIONER HOPPER ASSY

ITEM	PART NO.	DESCRIPTION	QUAN	ITEM PART NO.	DESCRIPTION	QUAN
1	9200-0247	Proportioner Hopper - Complete	1			60"
2	1119-5890	Trip Rod	1	14	Polyurethane Tape - 3/8"	1
3	1120-6640	Cover - Switch Box	1	15	Magnet Window	1
4	1119-5950	Insulation - Switch	1	16	Proportioner Welded Assembly	4
5	3100-8001	Micro Switch	1	17*	4" Auger Assembly	1
6	6166-2705	Set Screw	1	18*	6" Auger Ass'y.-Dbl. Full Pitch	4
7	6608-2200	Nut	1	19*	Cap Screw - 1/4" - 20 x 1-1/4"	1
8	6548-2217	Adjustment Screw - #8 - 32 x 3/4"	1	20*	Cap Screw - 1/4" - 20 x 1-3/4"	5
9	7000-0502	Push-On Fastener	1	21	Nut - 1/4" - 20	1
10	7000-8003	Spring	1	22	Actuator	1
11	8000-6506	Label - Warning (Not Illustrated)	1	23	Door Switch	1
12	8000-6509	Label - Danger (Not Illustrated)	1	24	Prop. Gear Box (See Page 47)	1
13	8000-6515	Decal - Switch Box Wiring	1	25	Counterswitch Ass'y (See Page 50)	1
		Grommet - 7/64" I.D.	1	or	D-Back Hopper Cover Plt. (Timer Model "D"-Mill)	1
				26	3/8" Liquid Tight Conduit - 14"	1
				27	3/8" Liquid Tight Straight Connector	2
				28	M.S. Slotted Hex Hd. #8-32 - 1/4"	1
				29	Polyurethane Tape - 3/16"	90"

\* These items are not included in 9200-0247 Proportioner Hopper Assembly Complete.

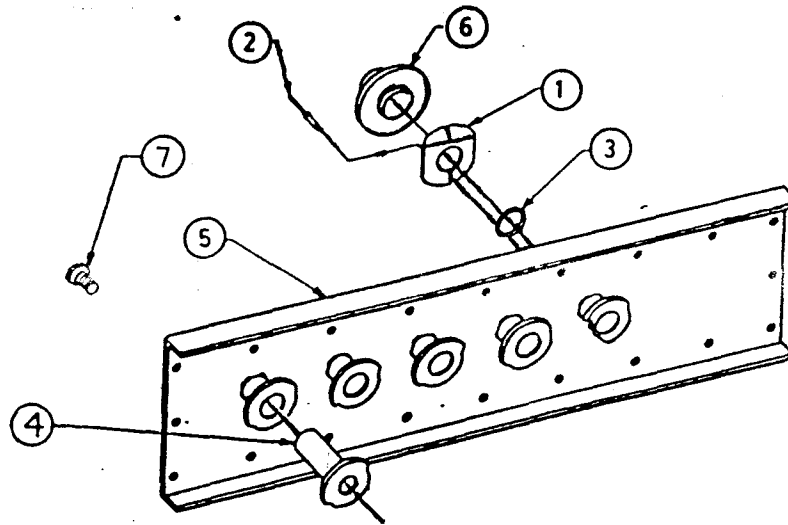
# PROPORTIONER GEAR BOX



# PROPORTIONER GEAR BOX

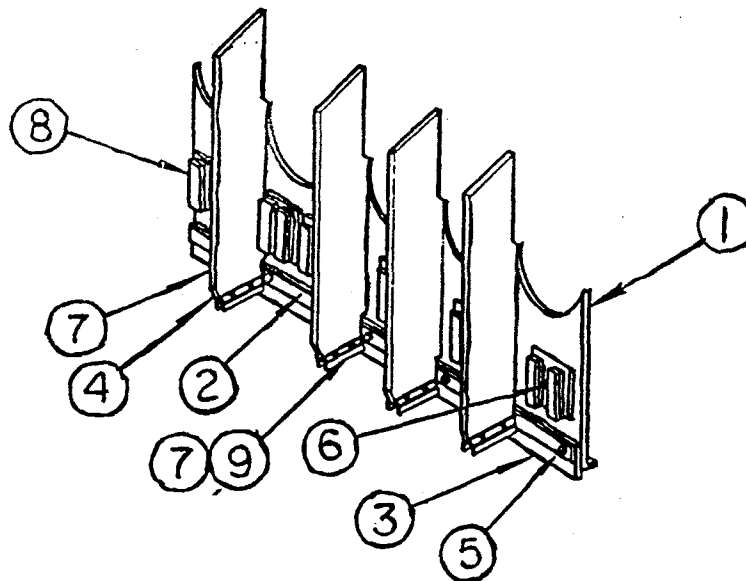
ITEM	PART NO.	DESCRIPTION	QUAN.	ITEM	PART NO.	DESCRIPTION	QUAN.
1	9200-0717	Gear Box (Less Motor & Oil)		23	9000-0110	Pawl Carrier - 32 Teeth	1
2	9200-0233	Gear Box - Complete (Less Oil)	9	24 *	9000-0111	Reducer Gear - 16/42 Teeth	1
3	1119-5820	Drive Pawl	5	25 *	9000-0112	Reducer Gear - Offset	1
4	4000-0014	Bearing - Auger Shaft	1	26 *	9000-0113	Reducer Gear - 16/24 Teeth	1
5	4000-2003	Gear - Motor Drive	1	27 *	9000-0114	Idler Gear - 24 Teeth	1
6	5171-3002	Pipe Plug 1/4"	5	28 *	9000-0115	Idler Gear - 32 Teeth	2
7	6166-2705	Set Screw 10 - 32 x 1/4"	2	29	3300-0100	D.C. Motor 1/4 H.P.	1
8	6166-3305	Set Screw 1/4 - 20 x 1/4"	20	30	9200-0231	Prop Cover (See Page 53)	1
9	7000-0502	Washer Head Cap Screw	9	31	7000-0503	Washer Head Bolts	4
10	7000-6002	Push-on Fastener	6	32	7000-0501	Washer Head Bin Bolt	1
11	7000-6502	Retaining Ring	9	33	9200-0232	Bearing Cap	5
12	7000-8002	Spring - Drive Pawl	1	34	5171-8002	Pipe Plug 1/4" - Vented	1
13	8000-4503	Gasket - Cover	1	35	8000-7003	Decal - D Proportioner Oil	1
14	8000-4504	Gasket - Motor	1	36	8000-6521	Decal - Oil Level	1
15	8000-8501	Roto-Seal (O-Ring)	10	37	9200-0243	Oil, (Qt.)	2 Qts
16	8001-2001	Lock-Collar	5	38	9200-0678	Brush Package - D.C. Motor (Not Shown)	1
17	9100-0139	Wire Harness	1	39	8001-1519	Motor Seal - D.C. Motor (Not Shown)	1
18	8001-4501	Thrust Washer	5	*	8000-0501	Bushing - 5/8" I.D. x 3/4" O.D. (Included in Reducer and Idler Gears)	6
19	8000-4502	Gasket - Auger	15				
20	9000-0101	Prop Housing	1				
21	9000-0106	Pawl Carrier - 42/24 Teeth	1				
22	9000-0107	Pawl Carrier - 24 Teeth	2				
	9000-0108	Pawl Carrier - 32 Teeth	1				
	9000-0109	Shaft and Ratchet	5				

## PROPORTIONER COVER ASSEMBLY



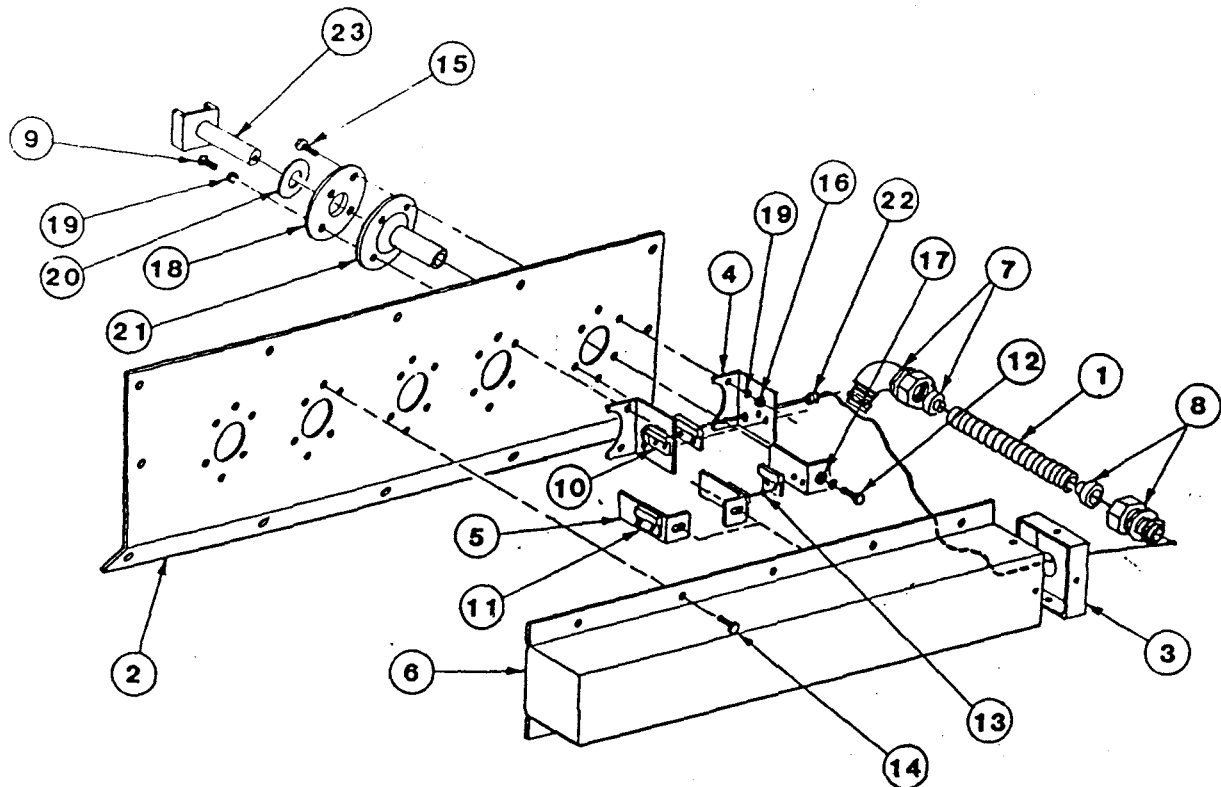
ITEM	PART NO.	DESCRIPTION	QUAN.
	9200-0231	Cover, Proportioner - Complete	
1	1119-5780	Proportioner Knob Spring	5
2	7000-7001	Pop Rivet - 5/32" Diameter - Std.	5
3	8000-8502	"O" Rings	5
4*	9000-0119	Moveable Cam and Sleeve Assembly	5
5	9000-0121	Proportioner cover Welded Assembly	1
6	9200-0235	Knob Assembly (with set screw)	5
7	7000-0502	Washer Head Cap Screw	20
*	8000-0501	Bushing 5/8" I.D. x 3/4" O.D. (Included in Moveable Cam)	5

## MAGNET PLATE ASSEMBLY



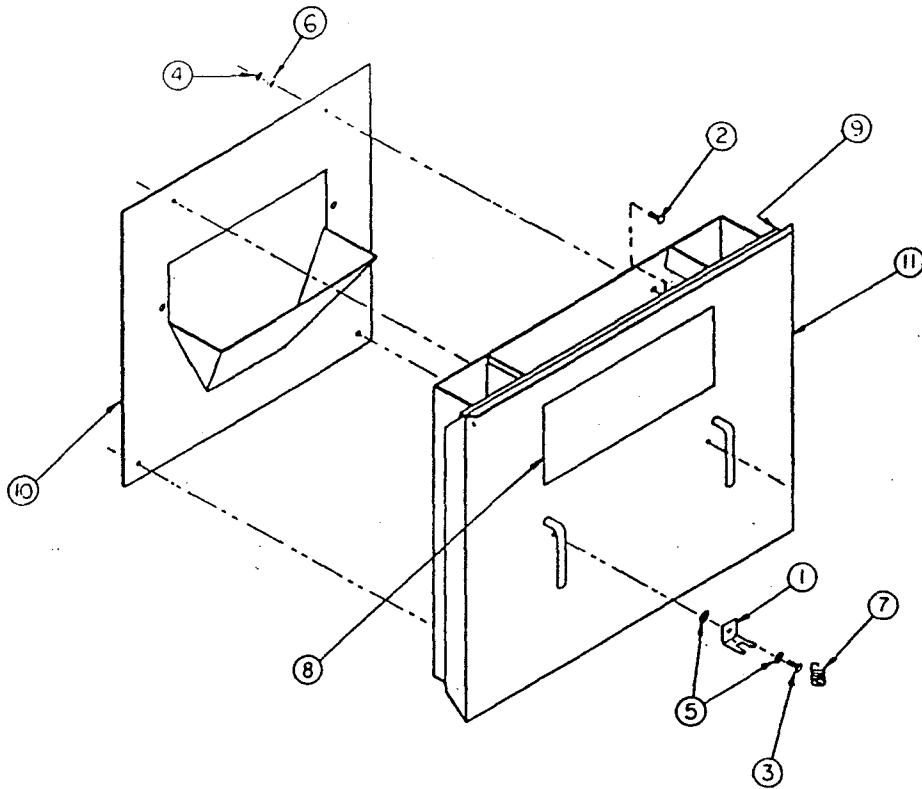
ITEM	PART NO.	DESCRIPTION	QUAN.
	9200-0237	Magnet Plate Assembly - Complete	
1	1119-6050	Magnet Plate	1
2	1119-6060	Strip Magnet Plate	1
3	1120-5300	Neoprene Magnet Plate	1
4	1119-6080	Divider Magnet Plate	4
5	6548-2212	Machine Screw Type D Thread Cutting #8 - 32 x 1/2"	6
6	6568-3812	Machine Screw Thread Forming 5/16" x 1/2"	6
7	7000-7001	Pop Rivets	16
8	8000-8001	Magnet - Mill	6

# COUNTER SWITCH ASSEMBLY



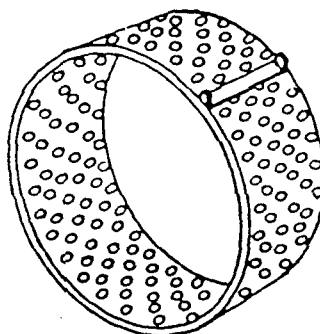
ITEM	PART NO.	DESCRIPTION	QUAN.
	9200-0242	Complete Assembly	
1	1120-6103*	3/8" Liquidtight Conduit - 10"	1
2	1119-5931	Counter Hopper Cover Plate	1
3	1119-6020	Cover Switches End	1
4	1119-6120	Reed Switch Plate	5
5	1119-6130	Reed Magnet Plate	6
6	1119-6140	Cover Switches	1
7	3100-2621*	3/8" Liquidtight 90° Connector	1
8	3100-2611	3/8" Liquidtight Straight Connector	1
9	6548-3312	M.S. Slotted Hex Head Type D.T.C. Plated 1/4 - 20 x 1/2"	10
10	3100-8027	Reed Switch	5
11	3100-8028	Reed Switch Magnet	6
12	6258-3312	Cap Screw Hex Head Plated 1/4 - 20 x 1/2"	5
13	7000-7002	Pop Rivet 3/32"	22
14	6548-2205	M.S. Slotted Hex Head Type D.T.C. Plated #8 - 32 x 1/4"	13
15	6548-3317	M.S. Slotted Hex Head Type D.T.C. Plated 1/4 - 20 x 3/4"	10
16	6608-3300	Hex Nut Plated 1/4 - 20	10
17	6640-3300	Flat Washer Plated 1/4"	5
18	9200-0232	Bearing Cap Assembly	5
19	6644-3300	Lock Washer Plated 1/4"	25
20	7001-1503	Rulon Washer	5
21	4000-0014	Bearing Auger Shaft	5
22	8000-5001	Grommet 1/2"	5
23	9000-0128	Drive Shaft Switches Welded Assembly	5
		*These items are not included in 9200-0242 Counter Switch Complete Assembly.	

# DOOR AND CHUTE ASSY.



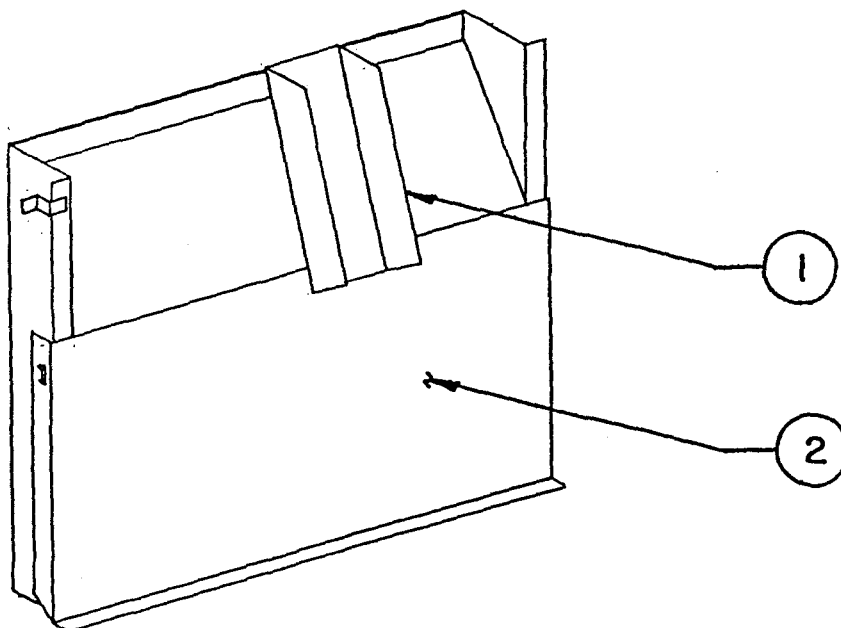
ITEM	PART NO.	DESCRIPTION	QUAN
	9200-0634	Door and Chute Assembly	
1	1119-6270	Bracket - Valve Handle Toggle	2
2	6028-3317	Round Head Square Neck C.B. 1/4" x 3/4"	4
3	6548-3317	Machine Screw - Hex Head - 1/4" - 20 x 3/4"	2
4	6608-3300	Hex Nut - 1/4"	4
5	6640-3300	Flat Washer - 1/4"	4
6	6644-3300	Lock Washer - 1/4"	4
7	7000-8004	Spring	2
8	8000-3519	Decal - Mix-Mill	1
9	8001-4002	Polyurethane Tape - 3/8" x 1/2"	90"
10	9000-0440	Wearplate Assembly	1
11	9000-0441	Door - Welded Assembly	1

## "D" MILL SCREENS



ITEM	PART NO.	DESCRIPTION	QTY.
1	9200-0209	3/32" x 18" Diameter Screen	1
1	9200-0210	1/8" x 18" Diameter Screen	1
1	9200-0211	5/32" x 18" Diameter Screen	1
1	9200-0212	3/16" x 18" Diameter Screen	1
1	9200-0214	1/4" x 18" Diameter Screen	1
1	9200-0215	5/16" x 18" Diameter Screen	1
1	9200-0216	3/8" x 18" Diameter Screen	1
1	9200-0218	1/2" x 18" Diameter Screen	1
1	9200-0219	5/8" x 18" Diameter Screen	1
1	9200-0220	3/4" x 18" Diameter Screen	1

## SAMPLING CHUTE ASSEMBLY



ITEM	PART NO.	DESCRIPTION	QTY.
1	1120-9820	Calibration Chute	1
2	9000-9544	Calibration Door Weldment	1

